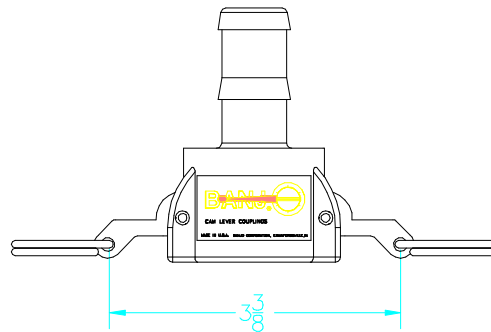
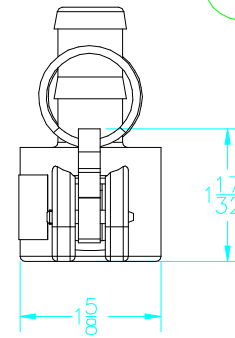
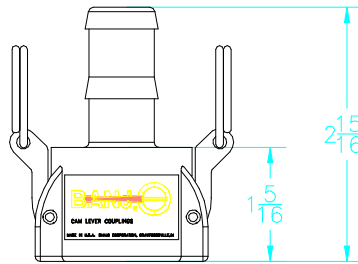
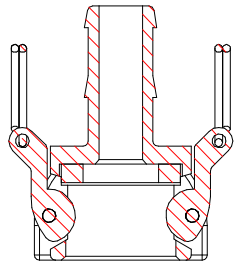
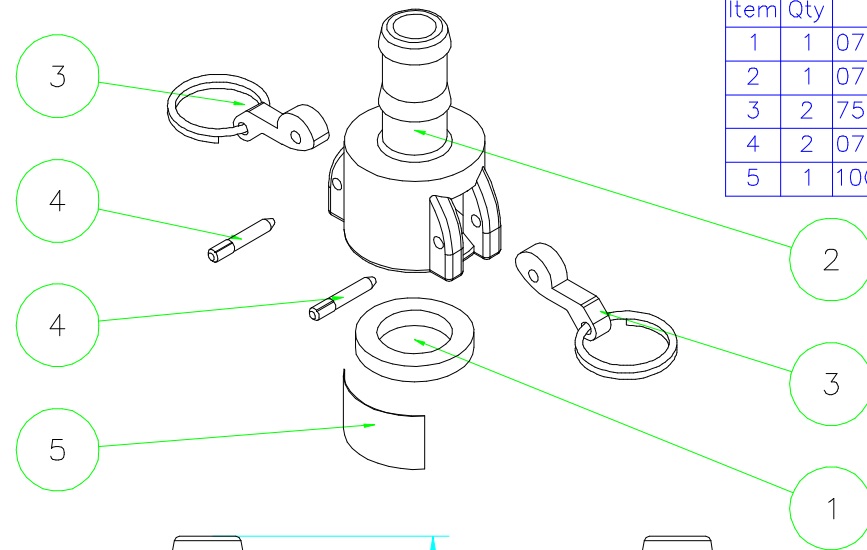


Parts List			
Item	Qty	PART NO.	DESCRIPTION
1	1	075G	3/4" GASKET
2	1	075CXM	3/4" COUPLER HB
3	2	75K	CAM ARM ASSEMBLY
4	2	075P	3/4" PIN
5	1	100DECAL	BANJO DECAL



THIS DRAWING AND ALL INFORMATION CONTAINED THEREON ARE THE EXCLUSIVE PROPERTY OF BANJO CORPORATION. UNLESS SPECIFICALLY NOTED, THIS DRAWING AND ITEMS SHOWN ON THIS DRAWING ARE SUBJECT TO CHANGE AT ANY TIME.

BANJO
LIQUID HANDLING PRODUCTS[®]

BANJO CORPORATION
150 BANJO DR. * CRAWFORDSVILLE, IN 47933

PART NO. 075C
TITLE 3/4" COUPLER X 3/4" HOSE BARB